



MQ **TuffTruk**
ZERO

Serious Power. Zero Emissions.



TB800BAT • TB12SE • TB12PE

multiquip.com

MQ ZERO TuffTruk

Model: TB800BAT



Hydraulic dumping, EasyClean™ tub for accurate and effortless material placement

Folding platform for flexibility as both a ride-on and walk-behind buggy

Articulating joint for ultra-tight turning and enhanced safety over rugged terrain

The **MQ Zero TuffTruk TB800BAT** is a battery-powered hauler built for demanding job site conditions. It delivers **strong torque, dependable runtime**, and **zero emissions** for **indoor or outdoor work**.

With a **15.5 cubic foot tub** (12.5 cu. ft. for concrete) rated to **1,800 lbs** and up to **8 hours of runtime**, it moves heavy material quickly with less crew strain and fewer slowdowns.

Designed for interior demolition, concrete work, environmental cleanup, landscaping, utility projects, and general material handling.

Wherever crews are pushing heavy loads, **TuffTruk keeps production on pace.**

- **Rechargeable battery** delivers up to 8 hours of runtime with quiet, zero-emission operation.
- **Regenerative braking** improves efficiency and extends runtime.
- **Durable polyethylene tub** built to handle abrasive materials and daily punishment.
- **Hydraulic power dump** for fast, controlled unloading.
- **Power-assist steering** for confident control.
- **Articulating joint** provides precise maneuvering in tight areas.
- Slim **35.2 inch width** fits through narrow paths and interior access points.
- Forward and reverse speeds up to 3.8 mph for **faster movement across the job site.**
- **Low noise levels** allow work in noise-sensitive environments.

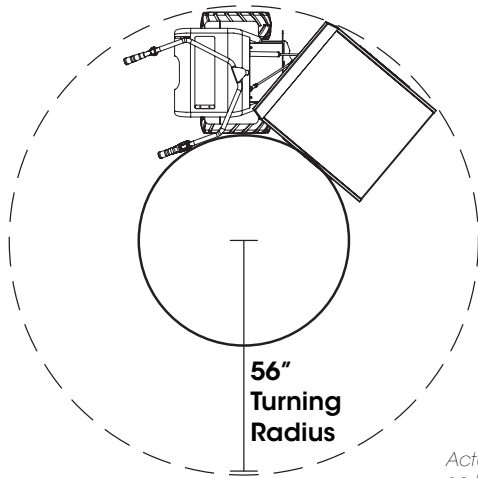
The compact **TB12** is ideal for interior demolition, environmental remediation, general construction, landscaping, and utility work.



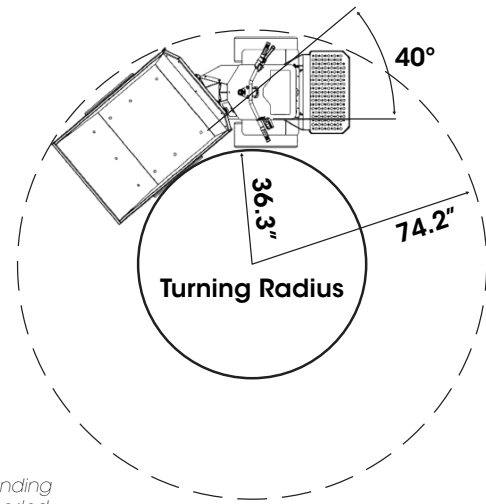
A COMPACT WORKHORSE

- **Rechargeable battery** delivers up to 8 hours of runtime with quiet, zero-emission operation.
- **Regenerative braking** improves efficiency and extends runtime.
- **Durable steel (SE) or polyethylene (PE) tubs** built to handle abrasive materials and daily punishment.
- **Hydraulic power dump** for fast, controlled unloading.
- **40° articulating joint** provides precise maneuvering in tight areas.
- Slim **33.4 inch width** fits through narrow paths and interior access points. *Optional 5.16ft³ tub* allows access through **32-inch openings**.
- **Low noise levels** allow work in noise-sensitive environments.
- **Adjustable handle** for operator preference and comfort.

	TB12SE	TB12PE	TB800BAT
Machine Type	Walk-Behind	Walk-Behind	Ride-On / Walk-Behind
Tub Material	Steel	Polyethylene	Polyethylene
Tire Type	Pneumatic	Pneumatic	Pneumatic
Wheel Base (in.)	28.6	28.6	43.9
Turn Radius (in.)	56	56	74.2
Width (in.)	33.5	33.5	34.8
Length (in.)	70.4	70.4	84.8
Height (in.)	42	42	51.2
Weight (lbs.)	529	529	1,212
Maximum Payload Capacity (lbs.)	1,100	1,100	1,600
Capacity ft ³ *			
Wet Concrete	5.5	5.5	12.5
Wet Sand	8.8	8.8	15.5
Power Source	Two DC brushless motors 750W / 24V	Two DC brushless motors 750W / 24V	Two DC brushless motors 1400W / 24V
Battery Type	2x12 volt AGM deep cell	2x12 volt AGM deep cell	4x6 volt AGM deep cell
Starting System	Electric	Electric	Electric
Drive and Controls	4x4 - 24 volt motor	4x4 - 24 volt motor	4x4 - 24 volt motor
Run Time	8 hours	8 hours	8 hours
Charge Time	8 hours	8 hours	8 hours
Travel Speed Forward (mph)	0 to 3.5	0 to 3.5	0 to 3.8
Travel Speed Reverse (mph)	0 to 1.5	0 to 1.5	0 to 1.5
Gradability	25%	25%	15%
Oscillation	9°	9°	10°
Articulation	40°	40°	40°



TB12



TB800

Actual capacity may vary depending on type of material being transported.