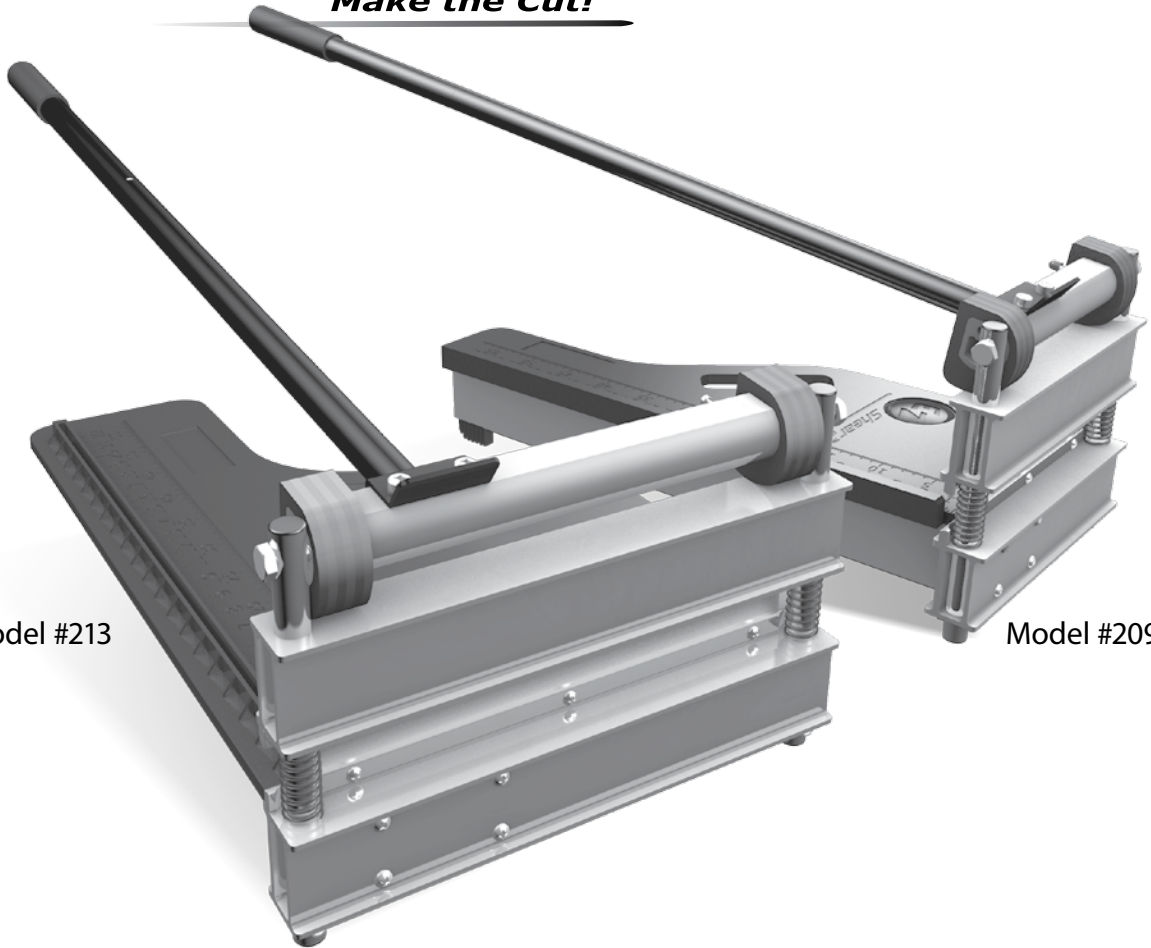




TM

**Shear** SST

*"Make the Cut!"*



Model #213

Model #209

**USER GUIDE** *Read Before Use!*

Do not use on High Pressure Laminate or Solid Wood



**BULLET TOOLS**<sup>TM</sup>  
*The Professional's Best Shot*



**WARNING: FAILURE TO FOLLOW THESE RULES MAY RESULT IN SERIOUS INJURY! USING THIS MACHINE WITH RESPECT AND CAUTION WILL CONSIDERABLY LESSEN THE POSSIBILITY OF PERSONAL INJURY.**

---

## **SAFETY RULES FOR THE EZ SHEAR™ SST**

- 1 ..... **READ AND UNDERSTAND THIS INSTRUCTION MANUAL BEFORE OPERATING THE EZ SHEAR™.**
- 2 ..... If you are not thoroughly familiar with the operation of the EZ Shear™, obtain advice from a qualified instructor or call 800-406-8998 (Intl.: 208-772-0175).
- 3 ..... Stay alert. Do not operate while under the influence of drugs, alcohol, or medication.
- 4 ..... Always wear safety approved eye protection with side shields (ANSI Z87.1).
- 5 ..... Keep work area clean and free of debris.
- 6 ..... Keep children and unauthorized persons away from the EZ Shear™ and work area.
- 7 ..... Make sure tool is secure. Operate only on a firm substrate or solid stand.
- 8 ..... Use the right tool. Do not force the EZ Shear™ or use it for a job for which it was not intended; the EZ Shear™ is designed to cut residential grade/ low-pressure laminate flooring, engineered wood flooring, VCT, PVC tile, vinyl tile, fiber cement board siding, vinyl siding, & pressboard lap siding. See Cut Guide p. 7
- 9 ..... Keep Blade sharp. A dull Blade will not perform properly.
- 10 ..... Always keep hands away from Blade while operating or carrying.
- 11 ..... Do not alter or misuse this tool. The EZ Shear™ is precision built; modifications not specified in this manual may result in a dangerous condition.
- 12 ..... Maintain EZ Shear™ with care. Keep Blade sharp and clean. Follow instructions for lubricating and changing accessories. See page 6.
- 13 ..... Use only recommended accessories. The use of improper accessories may cause hazards or injury.
- 14 ..... Never leave the EZ Shear™ unattended. Secure the Handle with the Safety Lock when not in use (see p. 6).
- 15 ..... Warning: The dust generated by cutting certain wood, wood fiber and/or PVC products can be injurious to your health. The EZ Shear™ generally does not produce any dust; however, minimal creation of dust may be possible. Avoid ingesting any dust created through cutting.






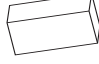



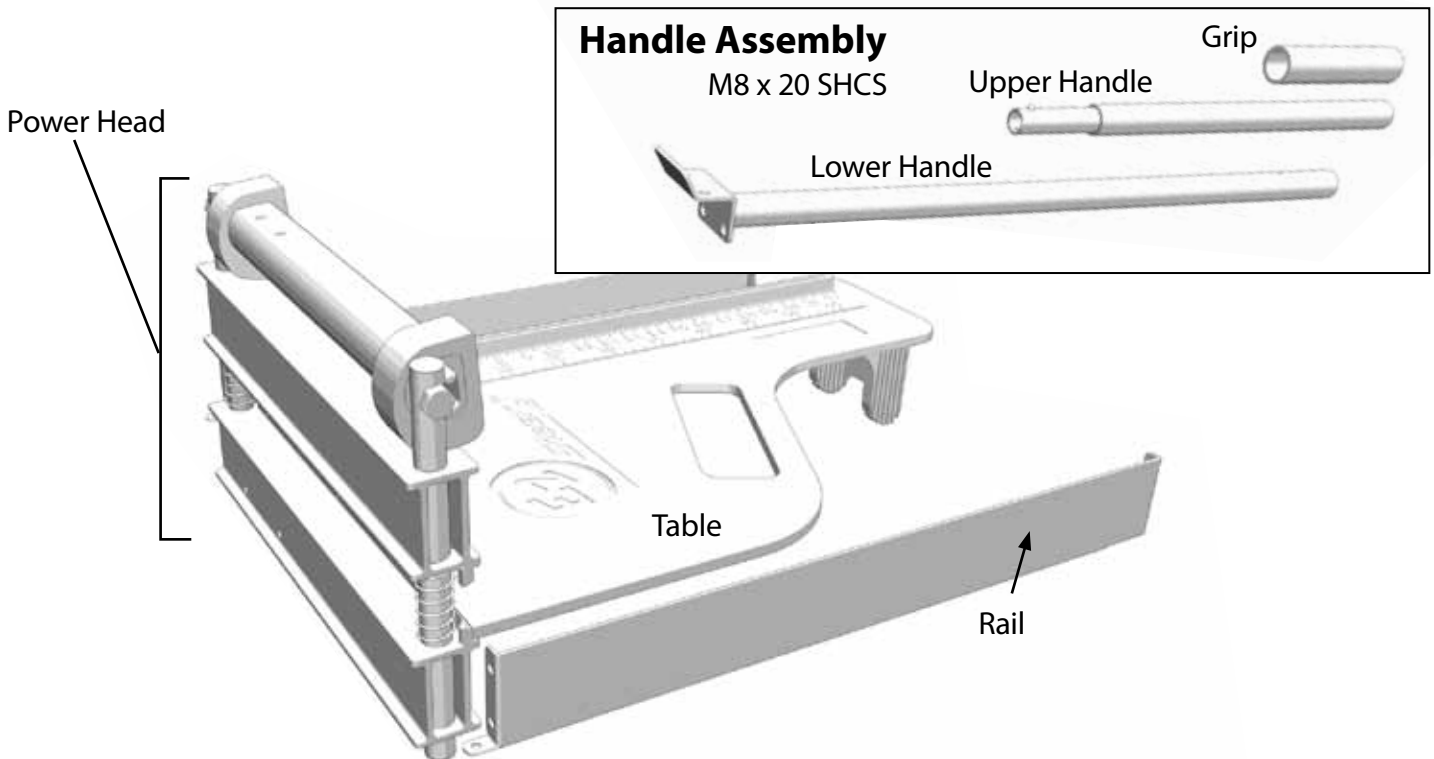
# IN THE BOX

Welcome! Your EZ Shear™ comes ready to easily assemble\*. Included in the box:

Part #	Description	Qty
	EZ-9 Power Head or EZ-13 Power Head	1
845-RP-EZ	EZ Shear Rail	2
822-RP-EZ9 or 13	EZ-9 Table or EZ-13 Table	1
858-RP-EZSST	EZ Shear Handle Assembly – <i>Contains:</i>	1
	Lower Handle	1
	Upper Handle	1
	Grip	1
FAS-KIT-00EZ	EZ Shear Hardware Kit – <i>Contains:</i>	1
	#10 x 3/4" Panhead Phillips Sheet Metal Screw	3
	#12 x 4" Panhead Phillips Sheet Metal Screw	4
	#12 x 1" Panhead Phillips Sheet Metal Screw	4
	M8 x 20mm Socket Head Cap Screw	4
	M6 x 8mm Phillips Head Machine Screw	2
	M6 Allen Wrench	1
	Hone Stone (Also available separately – Part #701S)	1
209B or 213B	9" Blade or 13" Blade	1

**Hardware Kit**

- #12 x 4" PHP SMS (4) 
- #10 x 3/4" PHP SMS (3) 
- #12 x 1" PHP SMS (4) 
- M8 x 20 SHCS (4) 
- M6 x 8 PHMS (4) 
- Hone Stone (1) 
- M6 Allen Wrench (1) 



**\*Note: You will need #2 & #3 Phillips head screwdrivers for assembly.**

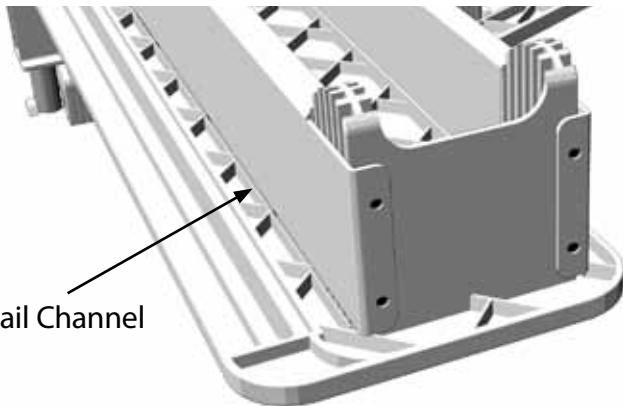
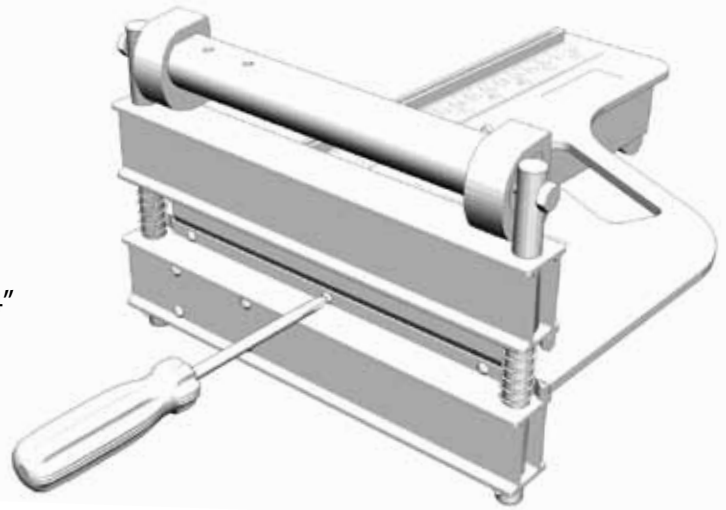
**Replacement Parts:** To purchase a replacement blade or other parts, please see your dealer, or contact Bullet Tools (USA 1-800-406-8998 / International 1-208-772-0175).



# SET UP

**1**

Attach table to power assembly using (3) #10 x 3/4" Phillips head screws with a #2 screwdriver.



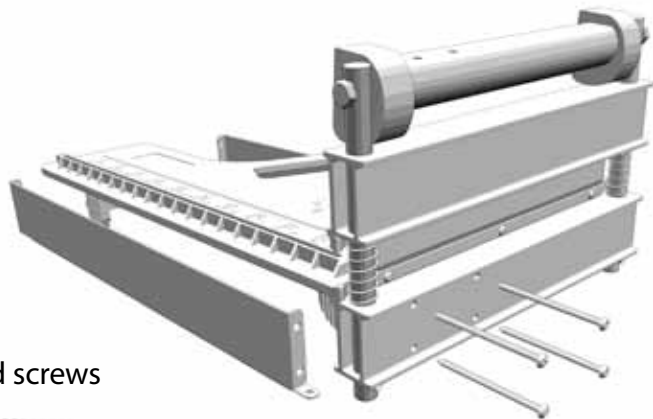
Align rails with table. Make sure that rail edge rests in the rail channel.

**2a**

**2b**

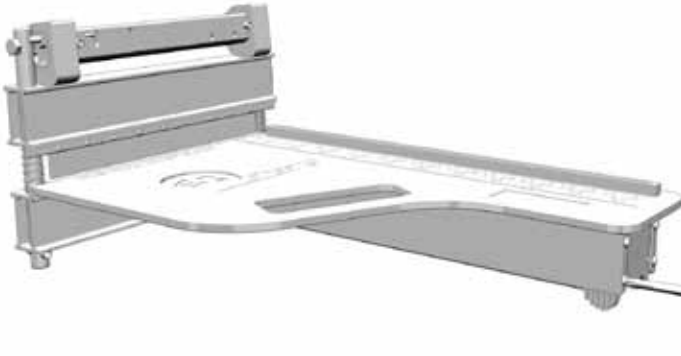
Insert (4) #12 x 4 Phillips head screws through base (power assembly) and tighten with a #3 screwdriver.

#12 x 4 Phillips head screws





# SET UP



**3**

Attach rail to table using (4) #12 x 1" Phillips head screws and tighten with a #3 screwdriver.



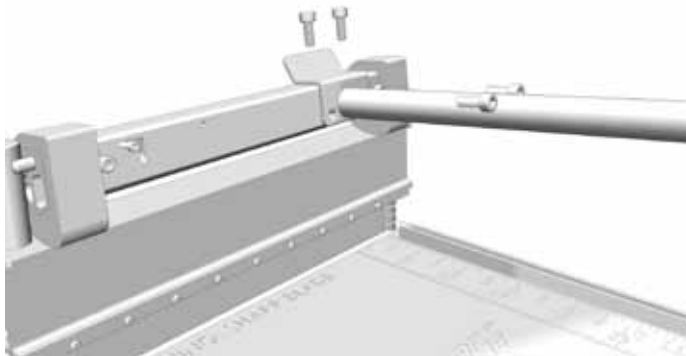
#12 x 1"



**4**

Fasten the Rail Support Tabs to the Base with two (2) M6 x 8mm Phillips head machine screws.

M6 x 8



**5**

Tightly secure the handle to the camshaft using four (4) M8 x 20mm sockethead machine screws with an M6 Allen wrench. (Included)



M8 x 20

**6**

To attach extension, push spring-button and slide handle stub into lower handle until the spring-button clicks into place.



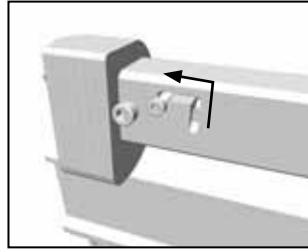
# MAKING CUTS



Caution! Wear hand and eye protection while operating the EZ Shear™

1

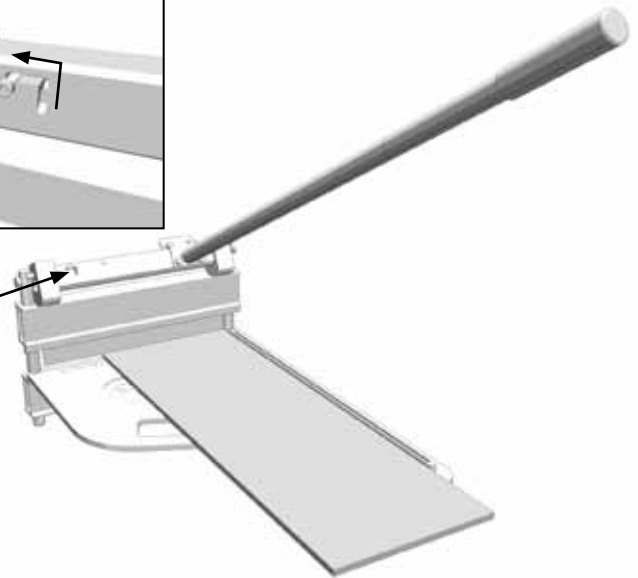
While gently pushing handle down, pull safety lock in, then lift handle.



2

Place product on table. Bring handle down until blade touches material.

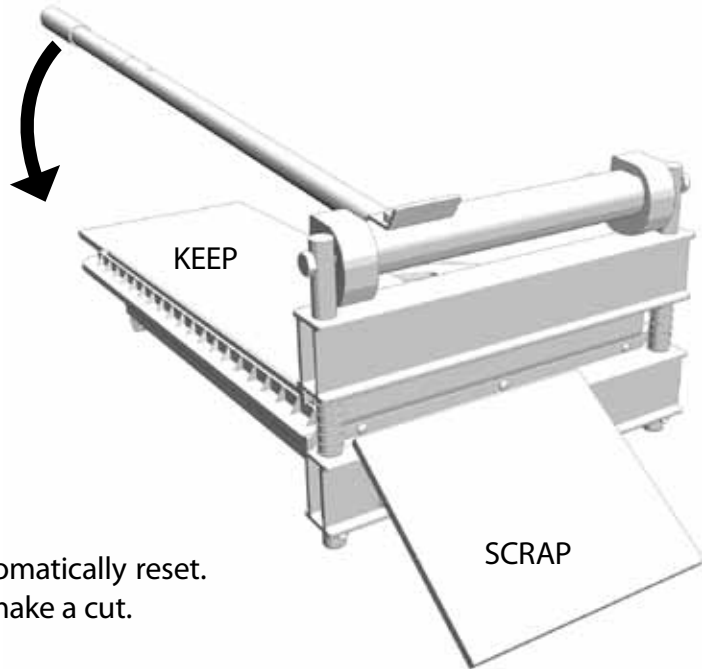
Pull Safety Lock



**WARNING! Blade is very sharp. Keep fingers away from blade.**

3

Push the handle down until the material is completely cut.



4

The safety lock can be positioned to automatically reset. You must pull safety lock each time you make a cut.

**WARNING! Disabling reset function on safety lock is potentially hazardous.**

Most materials listed on page (7) shear cleanly with just one cut. However, some types of laminate flooring and fiber cement siding require cutting twice to produce a better cut.

**DOUBLE CUTTING:** Simply make your first cut 1/8" to 1/4" (3mm to 6mm) longer than your mark and then make a second cut on your mark. This is very useful to create a cleaner cut on exposed ends or when you cannot cover the cut edge with molding or trim.

Your EZ Shear SST cuts a wide variety of products. Please refer to this cut guide for recommended products and thicknesses.

## SST CUT GUIDE

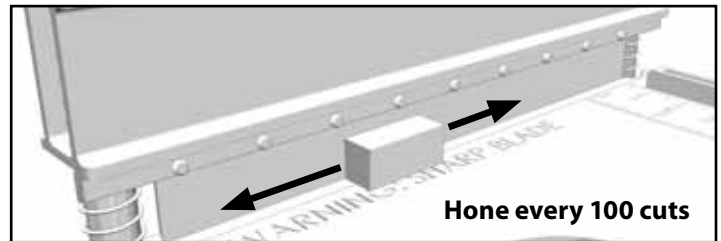
Material	Max Thickness
Siding, Fiber Cement Board	12mm or 1/2"
Siding, Pressboard Lap	18mm or 3/4"
Siding, Vinyl	25mm or 1"
Siding, Wood	25mm or 1"
Trim, OSB	25mm or 1" *
Trim, Fiber Cement	25mm or 1"
Trim, Vinyl	25mm or 1"
Shingles, Tar or Wood	12mm or 1/2"
Commercial Vinyl	24mm or 1"
Cork	24mm or 1"
Engineered Wood	Refer to pg. 8
Laminate Flooring	15mm or 5/8"
Leather	25mm or 1"
Luxury Vinyl Tile	25mm or 1"
Parquet	12mm or 1"
Permastone™	6mm or 1/4"
PVC Tile	25mm or 1"
Recycled Tire Tile	25mm or 1"
Rubber Cove Base	12mm or 1"
Rubber Tile	25mm or 1"
Soft Plastic	25mm or 1"
Tirex™ & Rope Cord	25mm or 1"

**IMPORTANT**  
If cutting 1" thick OSB trim,  
limit the width to 6"

*Please note: Approved materials may vary in density and hardness. If extreme pressure is required to cut a product, it may result in damage to your machine. Please contact Bullet Tools before proceeding. Warranty is void if an unapproved product damages the machine.*

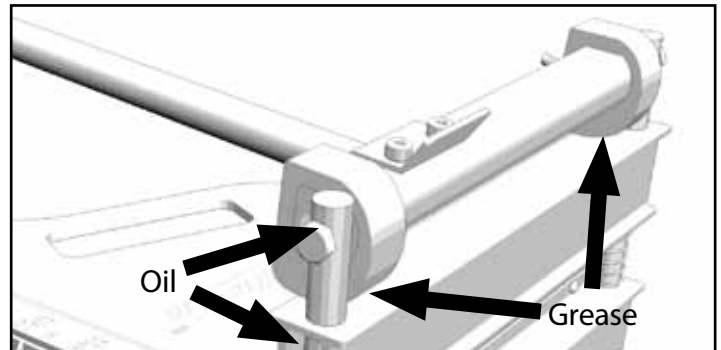
## MAINTENANCE

### Honing the Blade



Push the handle down until blade is 1/4" (6mm) open. Lay the hone stone against the flat face of the blade (side toward the table) and slide from end to end 2 or 3 times. This removes the small burr formed when cutting hard products.

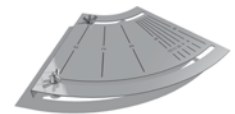
### Greasing / Lubricating



After every 100 cuts, it is recommended that you lubricate the wear points of the pins and the bearings as shown. Use a light oil (i.e. 10W motor oil). This will prevent the machine from wearing out prematurely. Apply grease frequently to the bearings where indicated.

## ACCESSORIES

Angle Guide (13" model only)  
Item #113AG  
Set any angle from 0° to 90°



Mounting Bracket  
Item #100MB  
Brackets for mounting your shear to a stand



Shear Stand  
Item #709  
Allows you to cut with the shear off the ground.



# WARRANTY

**90 Day Satisfaction Guarantee** – Bullet Tools is confident that you will be absolutely pleased with the purchase of our product. If, for any reason, you should not be completely satisfied with your EZ Shear, we will refund your purchase price at anytime within 90 days of your original purchase (receipt required). If you want to return your product under our 90-day no risk trial offer (valid only for purchases made in the US), please contact us at 1-800-406-8998 or 208-772-0175 for return instructions.

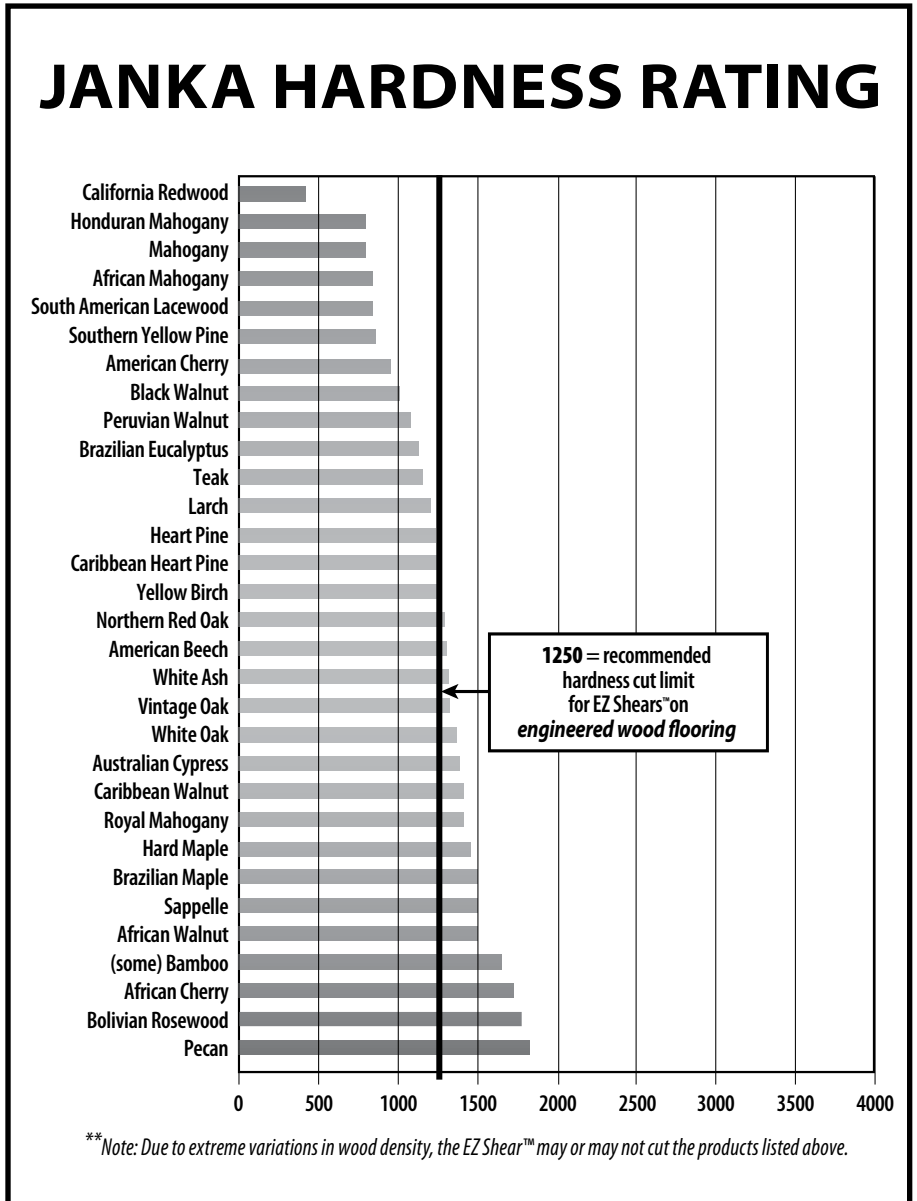
**Limited Lifetime Warranty** – Bullet Tools warrants only to the original purchaser of this product from an authorized reseller or distributor that this product will be free from defects in material and workmanship under normal use and service for the life cycle of the product. This limited lifetime warranty includes all EZ Shear parts except the blade and cosmetic appearance (chips, dings, scratches) caused by normal use and wear.

This limited warranty does not cover any damage due to accident, misuse, abuse or negligence. Further, it is valid only if the product is used with the cut products specified in the cut guide. Please refer to the User Guide for details or call Bullet Tools' technical support.

In order to recover under this limited warranty, Purchaser must make claim to Bullet Tools within 60 days of occurrence, and must present acceptable proof of original ownership (such as original receipt, warranty card registration, on-line registration, or other documentation Bullet Tools deems acceptable) for the product. Bullet Tools, at its option, shall repair or replace the defective unit covered by this warranty. To obtain warranty service, please contact Bullet Tools at 1-800-406-8998 or 1-208-772-0175 for pre-authorization and further instructions.

Except for the limited Lifetime Warranty provided herein, to the extent permitted by law, Bullet Tools disclaims all warranties, express or implied, including all warranties of merchantability and/or Fitness for a particular purpose. Additional rights may be available under the laws of your State or Province. Any and all warranties, written or implied, are void with any alterations to the product.

Note: Bullet Tools shall not be liable for any special, incidental or consequential damages, including but not limited to lost revenue, lost profits, rental or replacement equipment, downtime, damage to property and third-party claims, arising out of any theory of recovery, including warranty, contract, statutory or tort.



**BULLET TOOLS™**  
The Professional's Best Shot