



KING KING CANADA

2 TON FOLDING SHOP CRANE



MODEL: KFC-2TC

INSTRUCTION MANUAL

COPYRIGHT © 2019 ALL RIGHTS RESERVED BY KING CANADA TOOLS INC.



WARRANTY INFORMATION

**2-YEAR
LIMITED WARRANTY
FOR THIS SHOP CRANE**

**KING CANADA TOOLS
OFFERS A 2-YEAR LIMITED WARRANTY
FOR NON-COMMERCIAL USE.**

PROOF OF PURCHASE

Please keep your dated proof of purchase for warranty and servicing purposes.

PARTS DIAGRAM & PARTS LISTS

Refer to the Parts section of the King Canada web site for the most updated parts diagram and parts list.

REPLACEMENT PARTS

Replacement parts for this product are available at our authorized King Canada service centers across Canada. Please use the 10 digit part numbers listed in this manual for all part orders where applicable.

LIMITED TOOL WARRANTY

King Canada makes every effort to ensure that this product meets high quality and durability standards. King Canada warrants to the original retail consumer a 2-year limited warranty as of the date the product was purchased at retail and that each product is free from defects in materials. Warranty does not apply to defects due directly or indirectly to misuse, abuse, normal wear and tear, negligence or accidents, repairs done by an unauthorized service center, alterations and lack of maintenance. King Canada shall in no event be liable for death, injuries to persons or property or for incidental, special or consequential damages arising from the use of our products.

To take advantage of this limited warranty, return the product at your expense together with your dated proof of purchase to an authorized King Canada service center. Contact your retailer or visit our web site at www.kingcanada.com for an updated listing of our authorized service centers. In cooperation with our authorized service center, King Canada will either repair or replace the product if any part or parts covered under this warranty which examination proves to be defective in workmanship or material during the warranty period.

NOTE TO USER

This instruction manual is meant to serve as a guide only. Specifications and references are subject to change without prior notice.

KING CANADA INC. DORVAL, QUÉBEC, CANADA H9P 2Y4

www.kingcanada.com

SPECIFIC SAFETY INSTRUCTIONS FOR SHOP CRANES



WARNING!

1. Study and understand all operating instructions before operating crane.
2. Do not exceed the rated capacity of the crane. Position 1 (.5 ton), position 2 (1 ton), position 3 (1.5 tons), position 4 (2 tons).
3. Make sure that the load is not allowed to drop suddenly or swing during transporting.
4. Make sure that boom is fully loaded (in its high position) before adding oil to unit reservoir.
5. This shop crane is designed for use only on hard, level surfaces capable of sustaining the load. Use on other than hard level surfaces can result in shop crane instability and possible loss of load.
6. Slowly lower boom and load to the lowest possible position before transporting load.
7. Assemble crane according to the assembly instructions. Make sure all bolts and nuts are tight before placing crane into operation.
8. Do not use crane for any other purpose than for which it was designed and intended.
9. Crane legs must always extend beyond the boom.
10. Boom extension hardware must be secure before attempting to lift any load.
11. Never place any part of the body under the load or crane while in use.
12. Never use the crane as the only means of support. Always move the load to a stable platform or work surface before attempting any work.
13. Keep others away from the area while the crane is in operation.
14. Boom must be in fully lowered position before raising legs. Legs must never be raised when crane is carrying load. Legs must be locked in place.
15. Before attempting to raise load, make sure it is securely fastened and safety latches are secure.
16. Do not operate crane with twisted or kinked chain.
17. Do not remove labels from crane.
18. Never use crane for lifting people or loads over people.
19. Do not remove ram and use separately for any purpose.
20. Never operate the crane under the influence of medication, drugs or alcohol.



SHOP CRANE CAPACITIES

CAPACITY (TONS)	BOOM HEIGHT		BOOM LENGTH	REACH	OVERALL HEIGHT	BASE LENGTH		BASE WIDTH (OUTSIDE)		LENGTH INSIDE LEGS		WHEEL DIAMETER	CHAIN SIZE	NET WEIGHT (LBS)
	MAX	MIN				MAX	MIN	MAX	MIN	MAX	MIN			
1/2 Ton Position 1	99-1/2"	0"	61"	42-1/2"	59"	64-1/2"	20-5/8"	36"	36"	48"	48"	3-1/2"	3/8 x 12	205 lbs.
1 Ton Position 2	95-5/8"	6"	55-1/8"	36"	59"	64-1/2"	20-5/8"	36"	36"	48"	48"	3-1/2"	3/8 x 12	205 lbs.
1-1/2 Tons Position 3	91"	12"	49"	30-1/2"	59"	64-1/2"	20-5/8"	36"	36"	48"	48"	3-1/2"	3/8 x 12	205 lbs.
2 Tons Position 4	85-1/2"	17-3/8"	43-1/2"	24-1/4"	59"	64-1/2"	20-5/8"	36"	36"	48"	48"	3-1/2"	3/8 x 12	205 lbs.

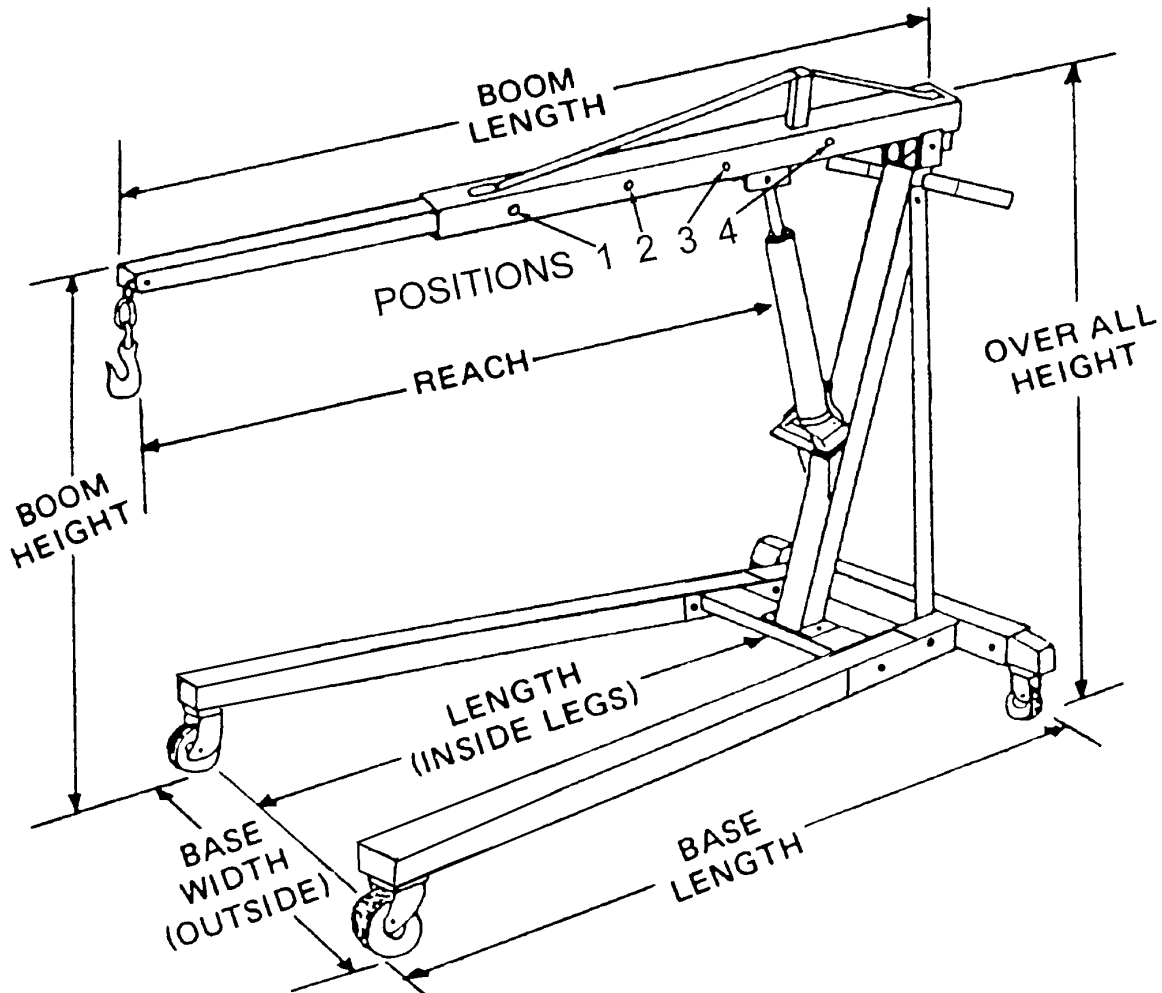


FIGURE 1

ASSEMBLY, OPERATION & MAINTENANCE



ASSEMBLY

Note: Refer to parts diagram for index numbers found in parenthesis (#):

1. Install two large wheels (#1) to the front legs (#11) and two large wheels (#1) to the frame base (#4) using four hex. bolts (#3) and hex. nuts (#2) for each wheel. Install two smaller wheels (#10) to the frame base (#4) using four countersunk head screws (#9) and hex. nuts (#2).
2. Attach front legs (#11) to the frame base (#4) using all four hitch pins (#7) and hitch pin clips (#8). On each leg, insert 1 pin through frame base and front leg at rear hole. The hitch pin serves as a pivot pin and remains in the hole permanently. Insert a second hitch pin in the most forward hole through the frame base and front leg. This locks the legs in the down position.
3. Insert hitch pin clips (#8) through hitch pins (#7) to secure in place.
4. Attach the main support post (#18) to the frame base (#4) using two M14 x 95 hex. bolts (#6) and hex. nuts (#5).
5. Attach both support braces (#16) to the top of the main support post (#18) using a M14 x 95 hex. bolt (#6) and hex. nut (#5).
6. Connect the support braces (#16) to the frame base (#4) using two M14 x 95 hex. bolts (#6) and hex. nuts (#5).
7. Connect the bottom of the hydraulic ram assembly (#15) to the main support post (#18) using a M16 x 85 hex. bolt (#13) and hex. nut (#17).
8. Connect the boom (#20) to the main support post (#18) using a M16 x 110 hex. bolt (#19) and hex. nut (#17).
9. While another person supports the boom (#20) up attach the top of the hydraulic ram assembly (#15) to the boom with a M16 x 85 hex. bolt (#13) and hex. nut (#17).
10. Slide the boom extension (#21) into the boom (#20) with the slot for the hook and chain assembly (#23) facing down. Secure boom extension with M14 x 85 hex. bolt (#27) and hex. nut (#5).
11. Install chain and hook assembly (#23) using a M14 x 75 hex. bolt (#22) and hex. nut (#5).
12. Install handle assembly (#24) to the rear of the support post (#18) using four hex. bolts (#25).
13. Install all five end caps (#26) using a rubber mallet.
14. Make sure all hardware is tight.

OPERATION

1. Load to be lifted must be securely attached with a sling or chain of adequate size and strength. Before lifting the load, be sure the load cannot twist or fall.
2. Move crane into position. Legs must be in down position and locked into place. Never use crane with the legs in the upright position.
3. Close hydraulic valve at the base of ram by turning clockwise until tight.
4. Place sling or chain in center of hook.
5. Slowly raise the load to desired height by inserting ram handle and pumping handle.
6. Move load to desired location by rolling crane assembly. Use caution so that load does not swing or rotate.
7. Slowly lower load to desired location by inserting ram handle onto valve at base of the ram and slowly turning counterclockwise. Do not lower too quickly.

MAINTENANCE

Important: Use only a good grade hydraulic jack oil. Avoid mixing different types of fluid and NEVER use brake fluid, turbine oil, transmission fluid, motor oil or glycerin. Improper fluid can cause failure of the jack and the potential for sudden and immediate loss of load.

Adding oil

1. With jack fully lowered and handle sleeve fully depressed, remove oil filler plug.
2. Fill with hydraulic oil until just below the rim of the oil filler plug hole. Reinstall the oil filler plug.

Changing oil

For best performance and longest life, replace the complete hydraulic oil supply at least once per year.

1. With jack fully lowered and handle sleeve fully depressed, remove jack from crane. With jack in its upright, level position, remove oil filler plug.
2. Lay the jack on its side and drain the oil into a suitable container.

Note: Dispose of hydraulic oil in accordance with local regulations.

3. Set jack in its upright, level position.
4. Fill with hydraulic oil until just below the rim of the oil filler plug hole. Reinstall the oil filler plug.

Lubrication

A periodic coating of light lubricating oil to pivot points will help to prevent rust and assure that casters and other parts move freely.

Cleaning

Periodically check the pump ram for signs of rust or corrosion. Clean as needed and wipe with an oily cloth.